

# ORTHOPANTOMOGRAPH™ OP30

*Design and quality*



INSTRUMENTARIUM

*You can't duplicate the legacy.*

- 1946 Professor Y.V. Paatero publishes his first paper on Panoramic Tomography.
- 1951 "Pantomography" equipment is presented.
- 1961 The first dental panoramic X-ray, ORTHOPANTOMOGRAPH™ OP1, is developed.
- 1964 Commercialization of the ORTHOPANTOMOGRAPH™ units begins with models OP2 and OP3.
- 1978 ORTHOPANTOMOGRAPH™ system becomes the leading name within dental panoramic imaging with models OP5/OC5, OP6 and OP10/OC10.
- 1992 New innovations, such as the lifting cassette head and linear tomography, are introduced along with the OP100 product family.
- 1999 Direct digital ORTHOPANTOMOGRAPH™ OP100 product family is introduced.
- 2006 New ORTHOPANTOMOGRAPH™ product family OP200 is launched.
- 2007 Volumetric Tomography (VT) is developed to maximize the performance of an ORTHOPANTOMOGRAPH™ unit.
- 2009 A new member to the ORTHOPANTOMOGRAPH™ product family – OP30 – is launched.
- 2011 CBCT era begins. ORTHOPANTOMOGRAPH™ OP300, the most comprehensive 3-in-1 platform is launched to celebrate 50 years of ORTHOPANTOMOGRAPH™ success.
- 2013 Introduction of improved 3D image quality, new metal artifact reduction (MAR) tool and endo mode for ORTHOPANTOMOGRAPH™ OP300 3D images.
- 2013 New revision of ORTHOPANTOMOGRAPH™ OP30 unit is launched.
- 2014 ORTHOPANTOMOGRAPH™ OP300 Maxio configuration, offering diagnostic information of the entire maxillofacial region, is launched.



A standard panoramic system does not mean standard design.

ORTHOPANTOMOGRAPH™ OP30 is a digital panoramic X-ray unit designed for every dental office demanding a top quality digital panoramic system. ORTHOPANTOMOGRAPH™ OP30 unit combines distinctive design and reliable quality with all essential tools for standard panoramic imaging needs. OP30 continues the legacy of the well-known ORTHOPANTOMOGRAPH™ product family.

# One-of-a-kind image quality

Sharp and detailed images are enabled by powerful tubehead and wide range of exposure settings that fit every patient size. A special V-shaped radiation beam is essential to overcome anatomical differences between the patients.

# User-friendly workflow

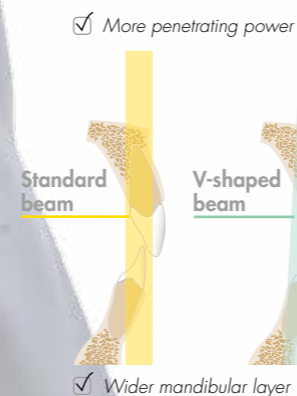
*Just 2 selections need to be made from the control panel:*

- Choose the imaging program
- Select patient size

Straightforward operation makes taking the panoramic image fast and easy. An integrated 5.7 inch touch screen with remarkably user-friendly navigation is extremely simple to use.

### *Patient positioning*

Intuitive 5-point patient positioning system holds the patient still during the imaging procedure to reduce movement artifacts. Three laser positioning lights make positioning accurate. The sharp layer is easily adjustable for every patient.



### **Benefits of V-shaped collimation**

A V-shaped beam supports better imaging of the human anatomy than a standard beam and ensures a homogeneous image.

### *All the essentials included*

- Stable 5-point patient positioning
- Optimal imaging geometry
- Adjustable anterior layer position with 3 positioning lights
- Powerful high frequency tube head design
- High resolution CCD imaging sensor
- V-shaped collimation optimizes image quality
- Versatile software tools to enhance diagnostic capabilities

# Imaging programs

## Standard panoramic



The standard panoramic imaging program provides clear definition of the dental anatomy including TMJ's - only in 10 seconds.

## Pediatric panoramic



The pediatric panoramic imaging program provides a reduced imaging area for pediatric and small patients.

## TMJ



Lateral view from temporomandibular joint area with mouth closed or open.

## BW

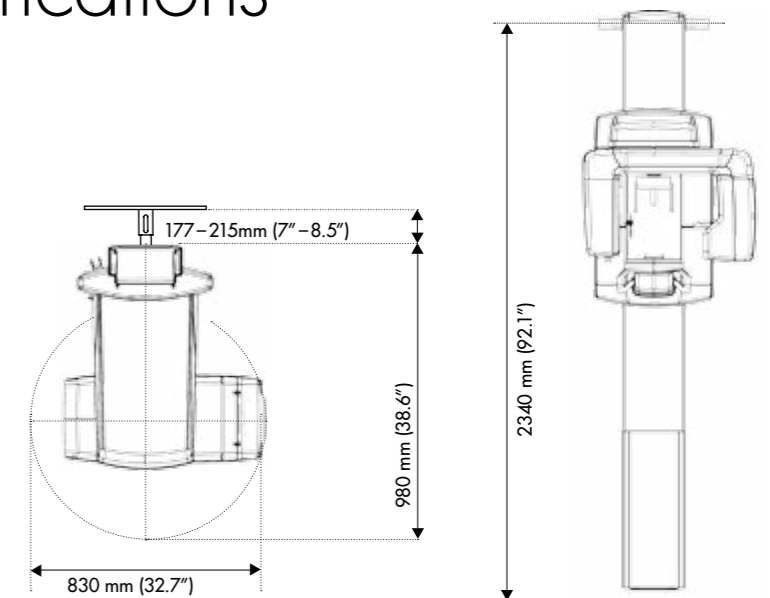


The bitewing view is a quick and easy alternative for intraoral bitewing imaging.

# Technical specifications

<b>Standard column</b>	2340 mm (92.1")
<b>Short column</b>	2250 mm (88.6")

Easy wheelchair accessibility.



### ORTHOPANTOMOGRAPH™ OP30 Technical specifications

generator	High frequency DC, operating frequency 100-130kHz
X-ray tube	D-054 SB or equivalent
focal spot	0.5mm IEC 60336/1993
filtration	total filtration min 2.6 mm Al
tube voltage	63-81 kV
tube current	6-12 mA with 220-240 VAC (tube current limited with 100-120VAC)
nominal voltage	100-120 VAC or 220-240 VAC
weight	120 kg
sensor pixel size	48 µm
image pixel size	96 µm
image field height	147 mm
PC minimum requirements for image capturing	Pentium 4 @2GHz, 1GB RAM, 8GB HDD space
TWAIN connectivity	optional
DICOM compatibility	optional
PC connection	LAN/Ethernet
Operating system	Windows 7, Windows Vista or Windows 8 (64-bit)

Choose your own ORTHOPANTOMOGRAPH™	OP30	OP200	OP300	OP300 Maxio
Standard panoramic	•			
Advanced panoramic		•	•	•
TMJ imaging	•	•	•	•
Volumetric Tomography		•		
Cone Beam 3D			•	•
Cephalometric		•	•	•

**Instrumentarium Dental** develops, manufactures and markets high-tech systems and solutions for dental and maxillofacial imaging. We work in close co-operation with dental professionals, universities and other research centers in our quest to develop solutions that will meet and exceed the expectations of our customers. As the establisher of panoramic X-ray imaging, we are committed to providing high clinical performance while still maintaining simplicity, ease of use and workflow efficiency. The Instrumentarium Dental product portfolio consists of a full range of premium quality imaging solutions for intraoral, extraoral and 3D imaging. For more detailed information about our products, please visit [www.instrumentariumdental.com](http://www.instrumentariumdental.com).

Instrumentarium Dental reserves the right to make changes to specifications and features shown herein, or to discontinue the product described at any time without notice or obligation. Contact your Instrumentarium Dental representative for the most current information. CE marked according to Medical Device Directive (NB 0537). Electrical safety according to IEC 60601-1. Operations comply with ISO 13485:2003, ISO 9001:2008, and ISO 14001:2004.

ORTHOPANTOMOGRAPH™ is a registered trademark or a trademark of Instrumentarium Dental in the United States and/or other countries. All other trademarks are property of their respective owners.

[www.instrumentariumdental.com](http://www.instrumentariumdental.com)

### Headquarters

Instrumentarium Dental  
Nahkelantie 160  
P.O. Box 20  
FI-04300 Tuusula  
Finland  
Tel. +358 10 270 2000  
Fax +358 10 270 2230  
e-mail: [info@instrudental.com](mailto:info@instrudental.com)

### USA

Instrumentarium Dental  
11727 Fruehauf Drive  
Charlotte, NC 28273  
U.S.A  
Tel. 800-558-6120  
Fax. 877-292-6050  
e-mail: [KKG.Imaging.CS@kavokerrgroup.com](mailto:KKG.Imaging.CS@kavokerrgroup.com)

