

Kodak 8000

Digital Panoramic System

The picture of simplicity.

Powerfully simple and surprisingly affordable, this outstanding imaging technology delivers clear, optimally exposed images in seconds. Now you can make fast, accurate diagnoses, streamline practice workflow and improve communication with patients and colleagues.

Easier by design.

With the Kodak 8000 digital panoramic system, you do all of the image programming on your computer, using a clear, user-friendly interface. A series of easy-to-follow steps makes it fast and simple to set patient and image parameters, leaving you more time for your patients.

Real-time diagnoses.

The Kodak 8000 system enables you to capture crystal-clear TMJ, panoramic, segmented panoramic, and maxillary sinus images—without waiting. Results are immediate, so you can make accurate diagnoses on the spot and communicate treatment options to your patients more effectively.

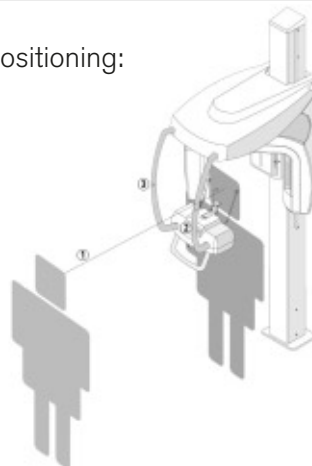
Better comfort and safety.

Face-to-face positioning makes it easier to align your patients, keep them comfortable and minimize positioning errors. And with low radiation exposure, your staff and patients can enjoy a safer treatment environment.



Kodak 8000 digital panoramic system features face-to-face positioning:

1. Operator has better contact and control.
2. Proper patient alignment is easier.
3. The need for additional exposures is minimized.
4. Patients are more relaxed.



A smart, innovative addition to your practice.

Powerful processing made simple.

Kodak dental imaging software makes analysis easy with a number of powerful image-processing capabilities. From contrast and brightness to magnification and full-screen display, you have a full range of tools at your disposal to help you get the most out of your radiographs.

Efficient integration.

The digital radiographs you acquire can be easily integrated into your practice management software. This allows you to share them with coworkers, colleagues, and other third-parties, saving time and improving workflow efficiency.

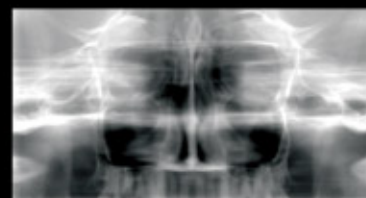
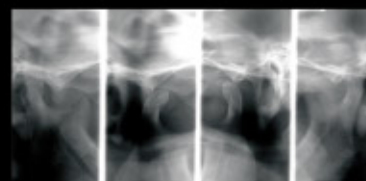
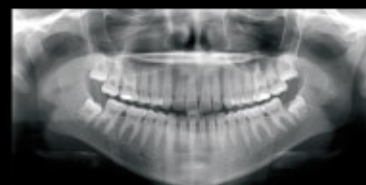
Optional cephalometric upgrade.

You can extend the diagnostic capabilities of the Kodak 8000 system with a digital cephalometric option that exposes standard cephalometric images in just over a second, improving patient comfort and reducing the risk of blurred images.

Support and guidance you can count on.

At Kodak, we're committed to providing the ongoing guidance and support you need for a smooth, seamless transition to digital extraoral radiography. Our trained distributors and dedicated team of experts are ready to:

- Consult with you and install the Kodak 8000 digital panoramic system.
- Train you and your staff to take high-quality images from day one.
- Answer your questions and provide exceptional ongoing service and support.



TECHNICAL SPECIFICATIONS

Physical space requirements:

Width (35 in) - Depth (46.5 in) - Height (91.75 in)

Patient Positioning:

Frontal with 3 laser beams and 4-point head rests

Acquisition:

Direct and in real time

Grey scale level:

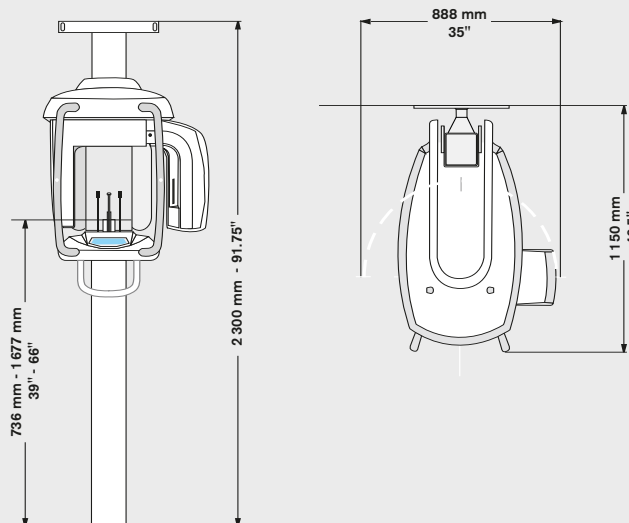
4,096 – 12 bits

Radiographic Modes and Exposure Times (in seconds):

Panoramic: 13.9

Maxillary sinus: 10.7

TMJ 2 lateral views: 7.7



© Eastman Kodak Company 2004.
KODAK, is a trademark of Eastman Kodak Company.

KODAK INFOLINE
Free phone – United Kingdom: 0800 89 51 13 - Ireland: 1800 55 49 97
Denmark: 800 171 49 - Norway: 800 11 167
Other countries: +49 (711) 406-3910 - Greece: (01) 689 8620
or visit: www.kodak.com/dental