

Orthoralix® 9200 / 9200 DDE



Versatility And Expandability In One Panoramic.

☞ [Panoramic X-ray Systems](#)

[Intraoral X-ray Systems](#)

[Digital Intraoral Sensors](#)

[Digital X-ray Phosphor Plates](#)

[Intraoral Cameras](#)

[Imaging Software](#)

GENDEX®
Imaging Excellence Since 1893

The versatile Orthoralix 9200 system offers standard panoramic projections, as well as a full array of advanced programs to satisfy the demanding needs of dental specialists. Plus, with both film-based and direct digital models and the optional cephalometric arm, the capabilities of the 9200 can expand with your practice.

Discover all of the benefits and options this imaging system has to offer.

Wide Range Of Projections

- 10 standard imaging projections and 6 additional with optional upgrades
- Meets the demands of today's orthodontists, oral and maxillofacial surgeons, and other specialists

Advanced Image Quality

- Triple laser beam guide system and motorized column for simple, accurate patient positioning
- Automatic Exposure Control (AEC) to ensure optimum image contrast and balance
- Real-time image reconstruction with the direct digital model

Expand Your Capabilities

- Direct digital model with the latest CCD sensor technology and direct LAN connectivity
- Optional Cephalometric arm attachment
- Optional Transcan implantology projection for transverse cross-sections of upper and lower jaw

Orthoralix® 9200 / 9200 DDE

Standard Projections



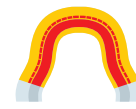
Standard Panoramic



Child Panoramic



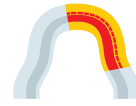
Orthogonal Half-Panoramic



Orthogonal Dentition



Frontal Maxillary Sinuses



Half-Orthogonal Dentition



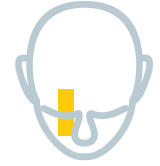
Frontal Dentition



Frontal TMJ



Lateral TMJ



Lateral Maxillary Sinuses

Cephalometric Projections



Latero-Lateral (LL)



Antero-Posterior (AP)



Postero-Anterior (PA)



Submento-Vertex (SV)



Carpus

- ⇒ Standard Panoramic
- ⇒ Child Panoramic
- ⇒ Orthogonal Half-Panoramic
- ⇒ Orthogonal Dentition
- ⇒ Half-Orthogonal Dentition
- ⇒ Frontal Dentition
- ⇒ Frontal TMJ
- ⇒ Lateral TMJ
- ⇒ Frontal Maxillary Sinuses
- ⇒ Lateral Maxillary Sinuses
- ⇒ Latero-Lateral
- ⇒ Antero-Posterior
- ⇒ Postero-Anterior
- ⇒ Submento-Vertex
- ⇒ Carpus
- ⇒ Transcan

Wide Range Of Projections

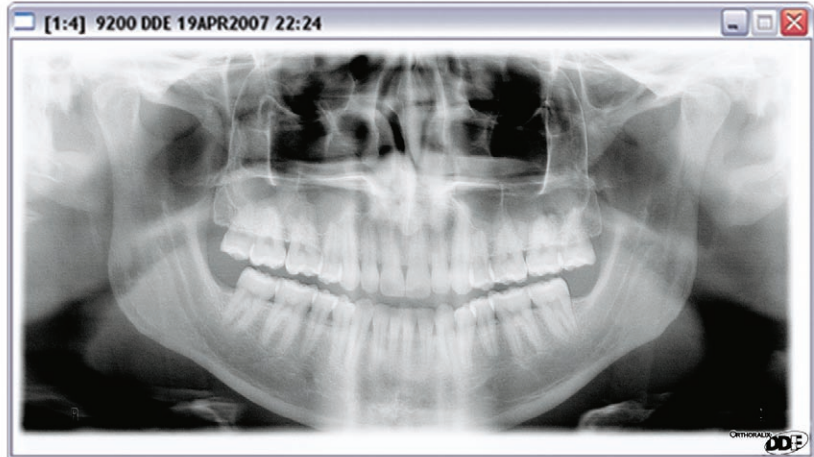
The Orthoralix 9200 offers 10 standard projections, with the ability to add 5 Cephalometric projections and the Transcan tomography projection to satisfy the needs of today's dental specialists. Its intuitive control panel and easy-to-read display simplifies the process of selecting projections. Plus, with the precision of morphology following and multi-motorized arm rotation, the 9200 excels at focal trough reconstruction.



Ceph Projection without Soft Tissue Filter



Ceph Projection with Soft Tissue Filter



The AEC system makes it simple to perform real-time corrections of technical factors, ensuring optimum image contrast and balance for maximum diagnostic capabilities. With the addition of VixWin Platinum Imaging Software, users can apply the Spine Compensation Filter to filter out the spine where it interferes with the dento-maxillo-facial area.

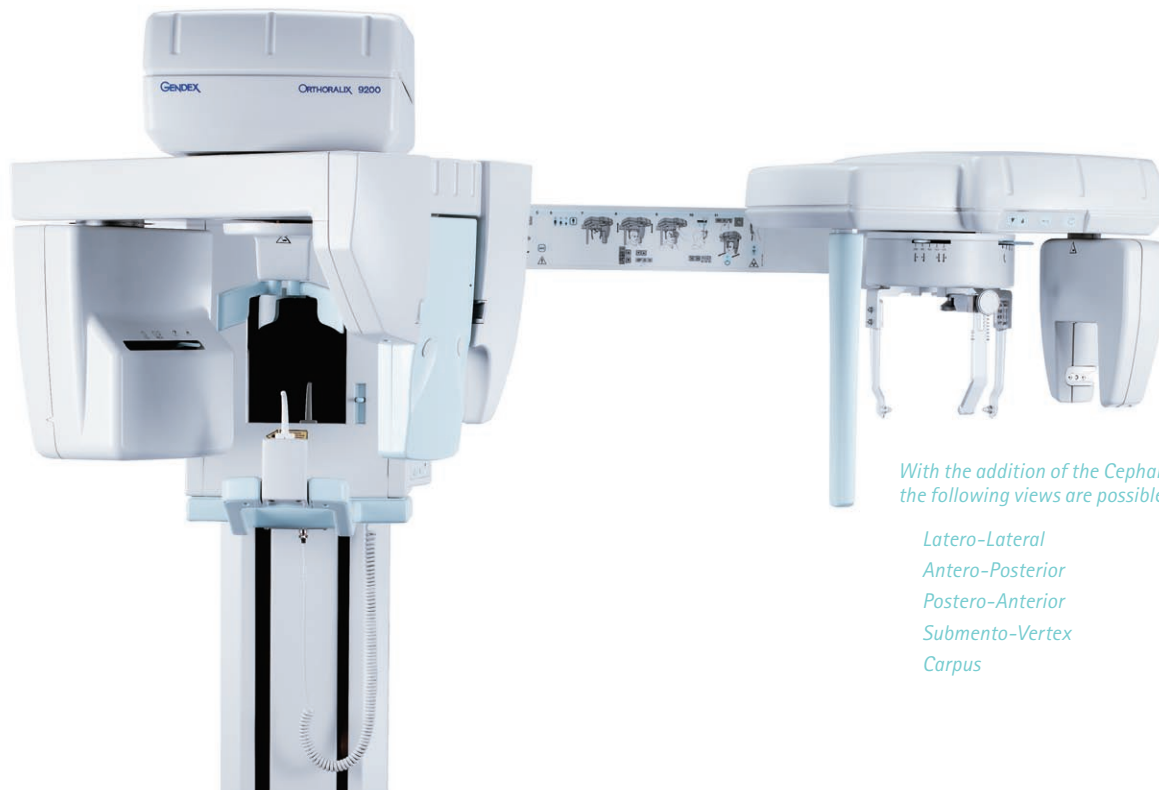
In Cephalometric projections, clinicians can benefit from VixWin Platinum's Soft Tissue Filter to further enhance these projections – providing detailed bone information by regulating the gamma filtering across the image while enhancing visibility of the patient's profile.



Patients are accurately positioned with the aid of a triple laser beam system and fully motorized positioning mechanisms

Advanced Image Quality

Three technical factor setting modes are available to ensure complete flexibility and quality control. Manual mode for total operation control, Preset mode where the operator can customize settings, and Automatic Exposure Control (AEC) mode. With AEC, the 9200 automatically raises or lowers the kV setting based on measurements of bone size and density.



With the addition of the Cephalometric arm, the following views are possible:

*Latero-Lateral
Antero-Posterior
Postero-Anterior
Submento-Vertex
Carpus*



The Transcan option offers projections with three 7 mm interval transverse cross-sections of the upper and lower jaw for reliable and precise implant positioning

Expand Your Capabilities

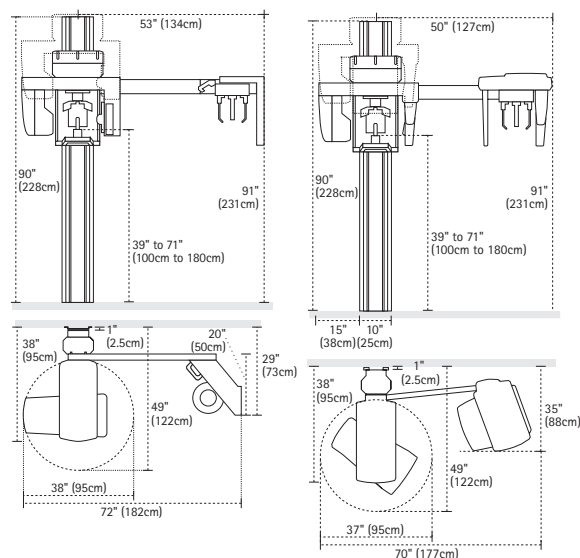
Utilizing the latest in CCD sensor technology and built-in LAN connectivity, the 9200 DDE model allows clinicians to digitally capture x-ray images and share them with any computer connected to the network for maximum productivity. With the option to add a Cephalometric arm, the Transcan cross-sectional tomography projection, and convert to direct digital technology, the 9200 is one of the most expandable panoramic systems available.

Technical Specifications

Gendex Orthoralix® 9200 / 9200 DDE

Power Supply	115 - 250 VAC \pm 10%
Frequency	50 / 60 Hz \pm 2 Hz
Maximum Line Power Rating	10 A at 250 V, 20 A at 115 V
Anode Voltage	60 - 84 kV, in 2 kV steps
Anode Current	3 - 15 mA, in 1 mA steps
Exposure Time	12 s for standard pan, 0.16 - 2.5 s for Cephalometric
Duty Cycle	1:20 at full power operation
Focal Spot	0.5 mm, IEC 336 (1993)
Vertical Reach	39" to 71" (100 to 180 cm) from floor to occlusal plane
Weight	410 lbs (115 kg), 467 lbs (212 kg) with Ceph arm

Unit Dimensions



Orthoralix 9200 DDE

Active Area CCD Sensor	147 x 6 mm (Standard Pan), 220 x 6 mm (Ceph)
Image Size	1536 x 2725 pixels (Standard Pan), 2304 x 2529 pixels (Ceph - Maximum)
Minimum PC Requirements	Pentium® II CPU, 400 MHz, 256 MB RAM
Required Operating System	Microsoft® Windows 98® / Windows 2000® / Windows XP®

Orthoralix 9200 Film-Based

Panoramic Cassette	Flat 6" x 12" (15 x 30 cm) with Lanex medium screens
Cephalography Cassette	Flat 8" x 10" (20 x 25 cm) with Lanex regular screens



Gendex Dental Systems
 901 West Oakton Street
 Des Plaines, IL 60018 U.S.A.
 Tel 1-888-275-5286
 www.gendex.com