

4

3

2

1

1

D

D

C

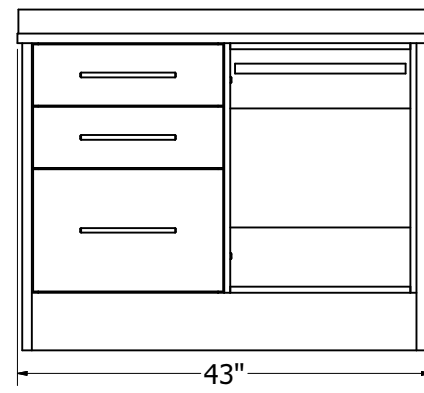
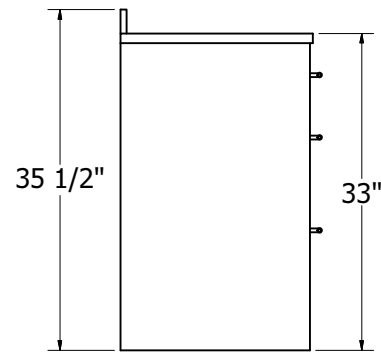
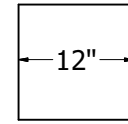
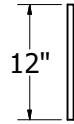
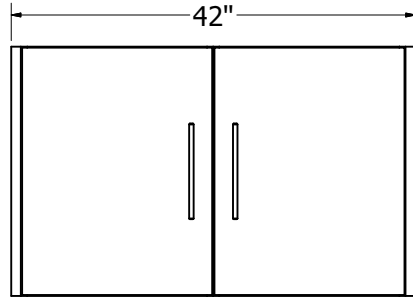
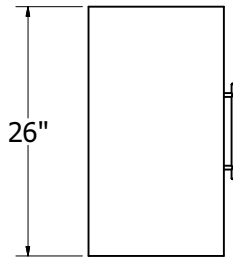
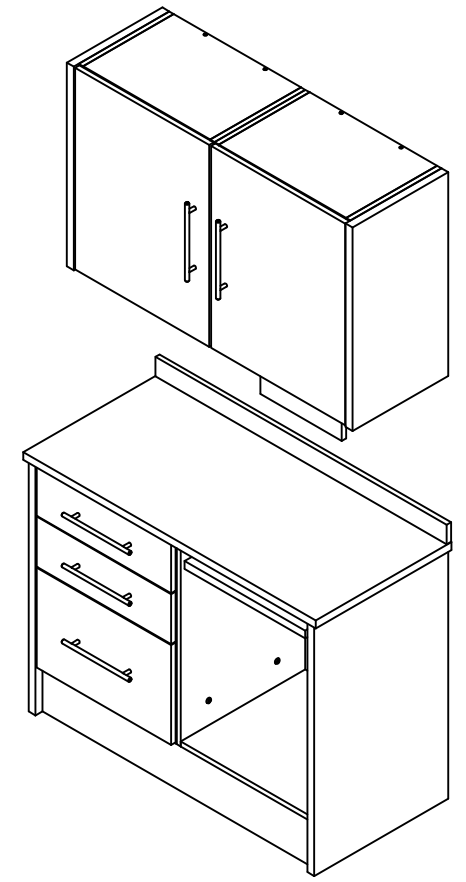
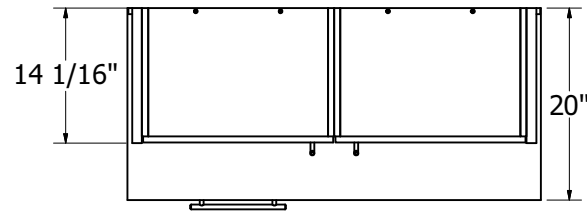
C

B

B

A

A



| | | |
|------------------------------------|--------------------|------------------|
| TITLE: Dental Treatment Console | | SHEET: 1 OF 1 |
| DRAWN BY: B. Kollman | DATE: 6/28/2019 | SIZE: C |

4

3

2

1

1

4

3

2

1

D

D

C

C

B

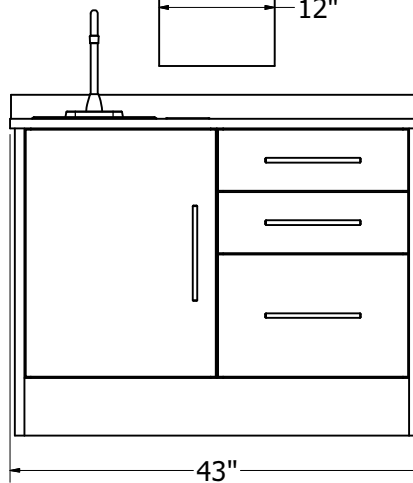
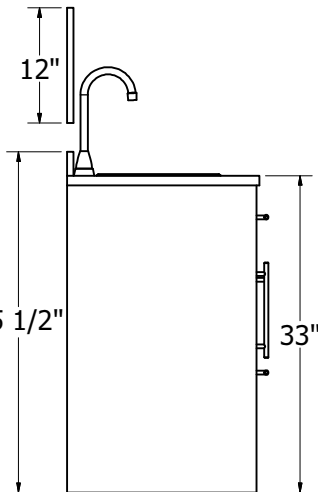
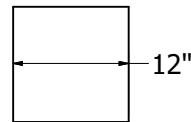
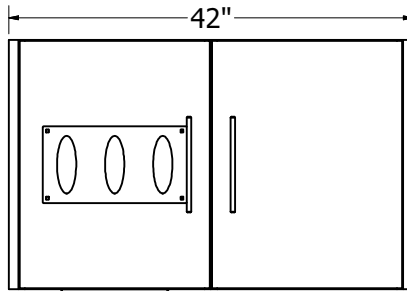
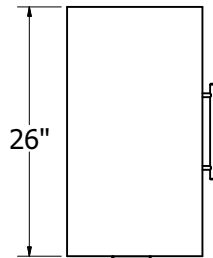
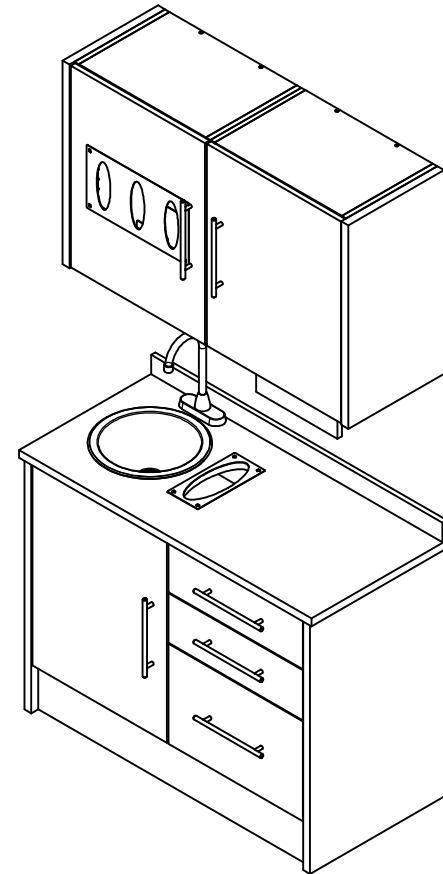
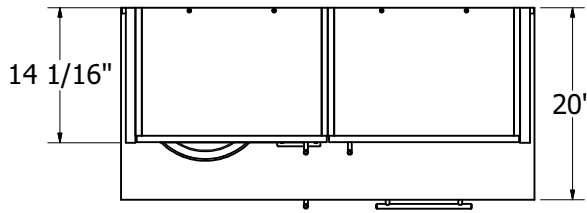
B

B

B

A

A



| | | |
|---|--------------------------|------------------|
| TITLE: Dental Asepsis Console | | SHEET: 1 OF 1 |
| DRAWN BY: B. Kollman | DATE: 8/2/2019 | SIZE: C |

4

3

4

2

1

4

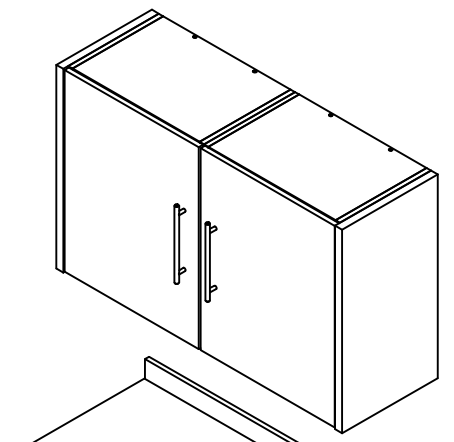
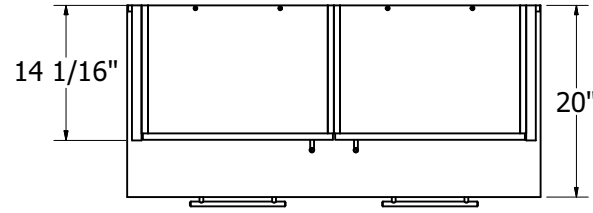
3

2

1

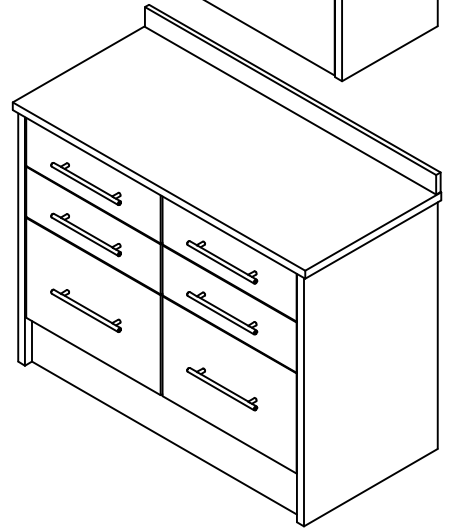
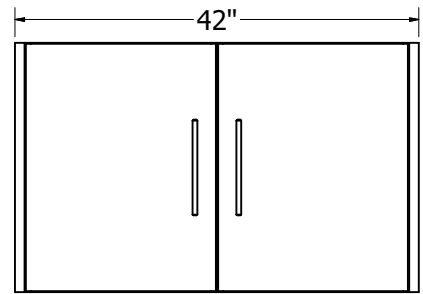
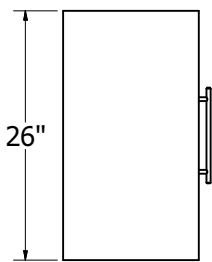
D

D



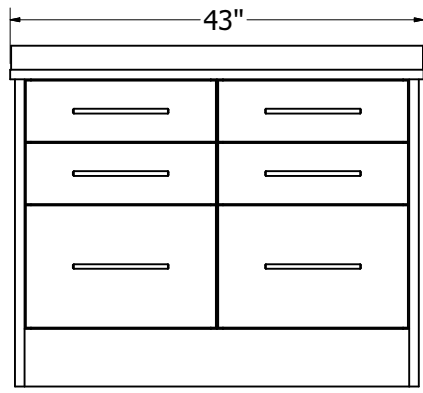
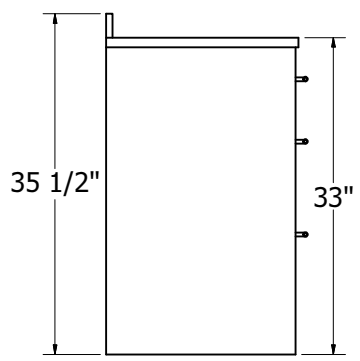
C

C



B

B



A

A



| | | |
|----------------------------------|--------------------|------------------|
| TITLE: Dental Storage Console | | SHEET: 1 OF 1 |
| DRAWN BY: B. Kollman | DATE: 6/28/2019 | SIZE: C |

4

3

4

2

1

4

3

2

1

1

D

D

C

C

B

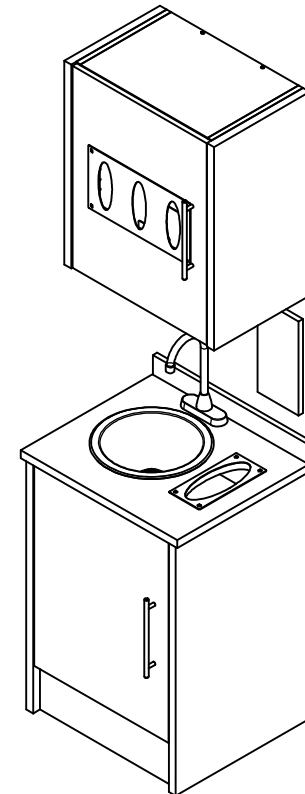
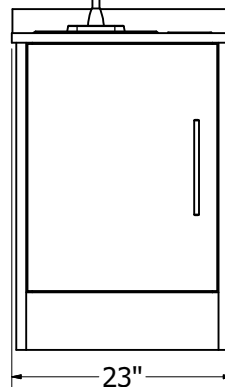
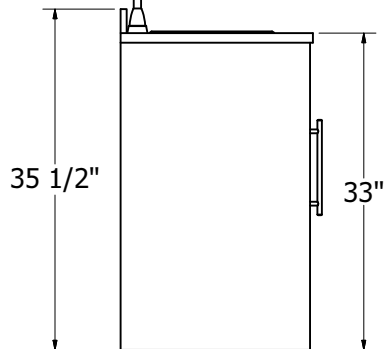
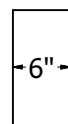
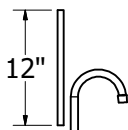
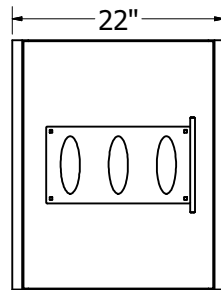
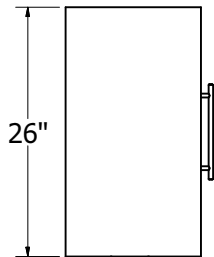
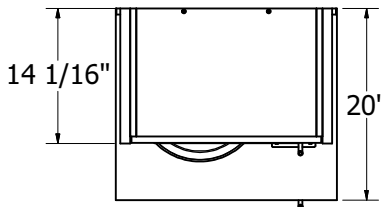
B

B

B

A

A



| | | |
|-----------------------------------|--------------------|------------------|
| TITLE: Dental Division Console | | SHEET: 1 OF 1 |
| DRAWN BY: B. Kollman | DATE: 6/28/2019 | SIZE: C |

4

3

2

1

1

4

3

2

1

D

D

C

C

B

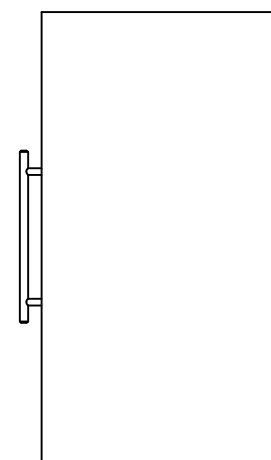
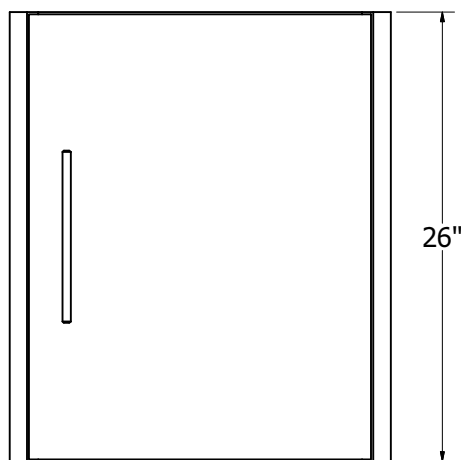
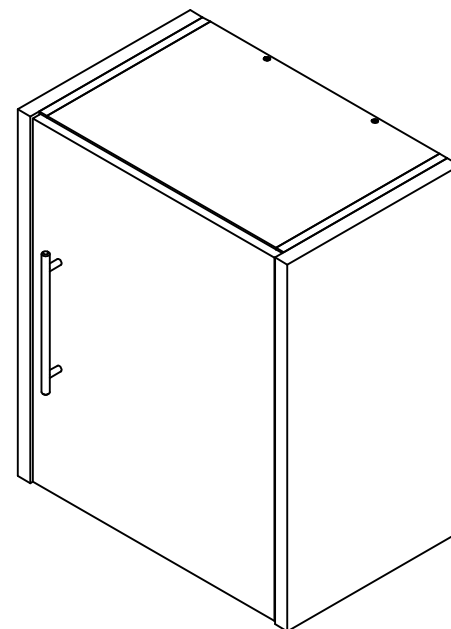
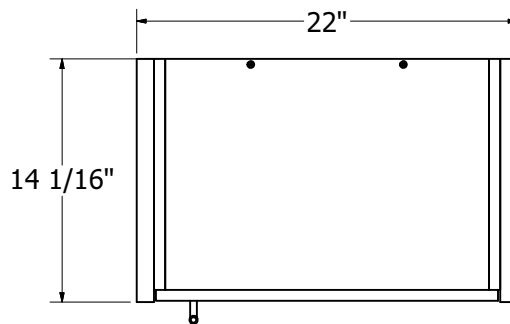
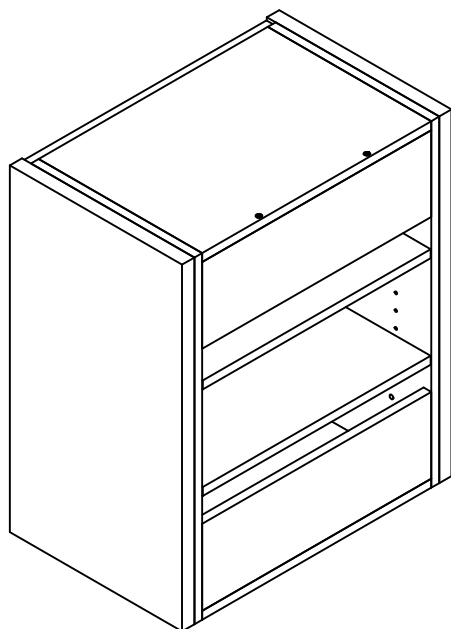
B

B

B

A

A



| | | |
|---|--|------------------|
| TITLE: Dental Storage Cabinet | | SHEET: 1 OF 1 |
|---|--|------------------|

| | | |
|--------------------------------|---------------------------|------------|
| DRAWN BY: B. Kollman | DATE: 6/28/2019 | SIZE: C |
|--------------------------------|---------------------------|------------|

4

3

4

2

1

4

3

2

1

D

D

C

C

B

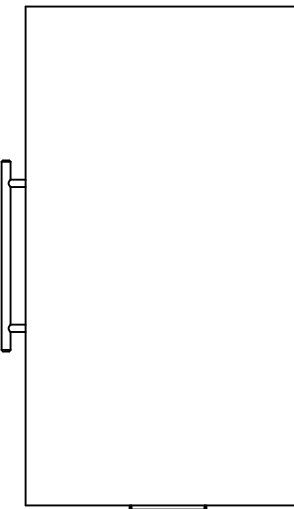
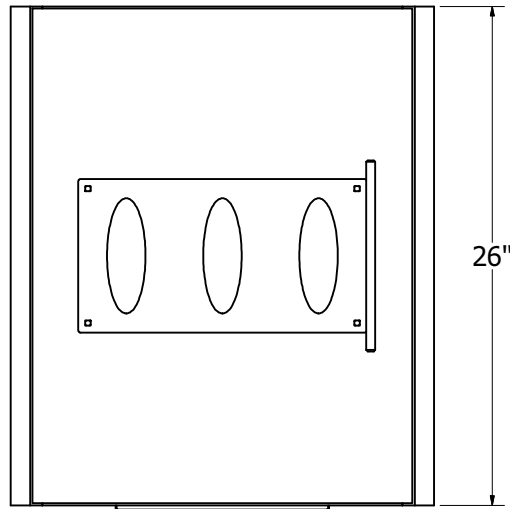
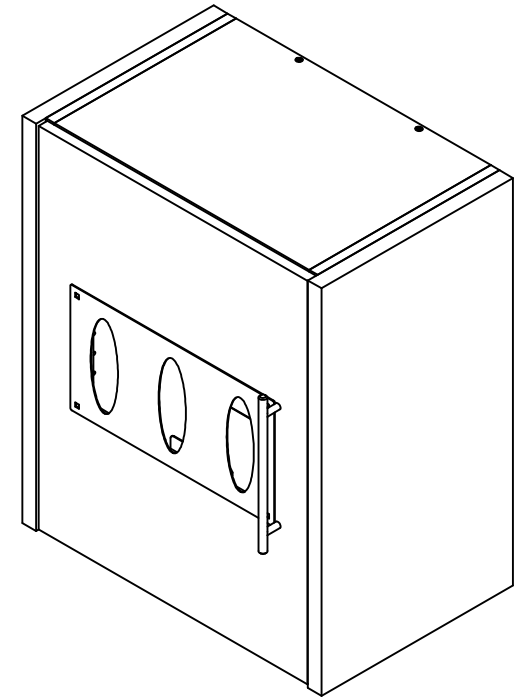
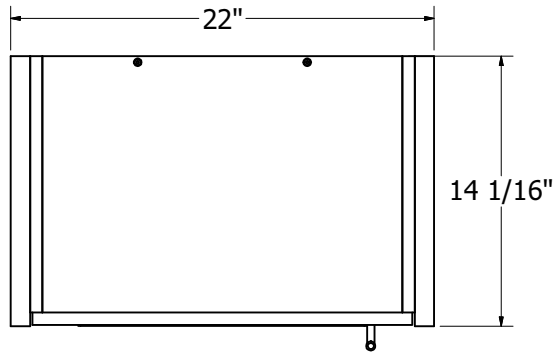
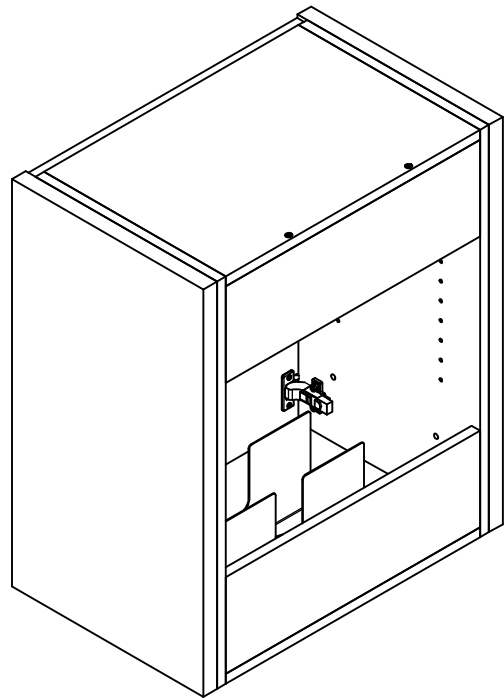
B

B

B

A

A



| | |
|---|------------------|
| TITLE: Dental Paper Towel Dispenser | SHEET: 1 OF 1 |
|---|------------------|

| | | |
|--------------------------------|---------------------------|------------|
| DRAWN BY: B. Kollman | DATE: 6/28/2019 | SIZE: C |
|--------------------------------|---------------------------|------------|

4

3

4

2

1

4

3

2

1

D

D

C

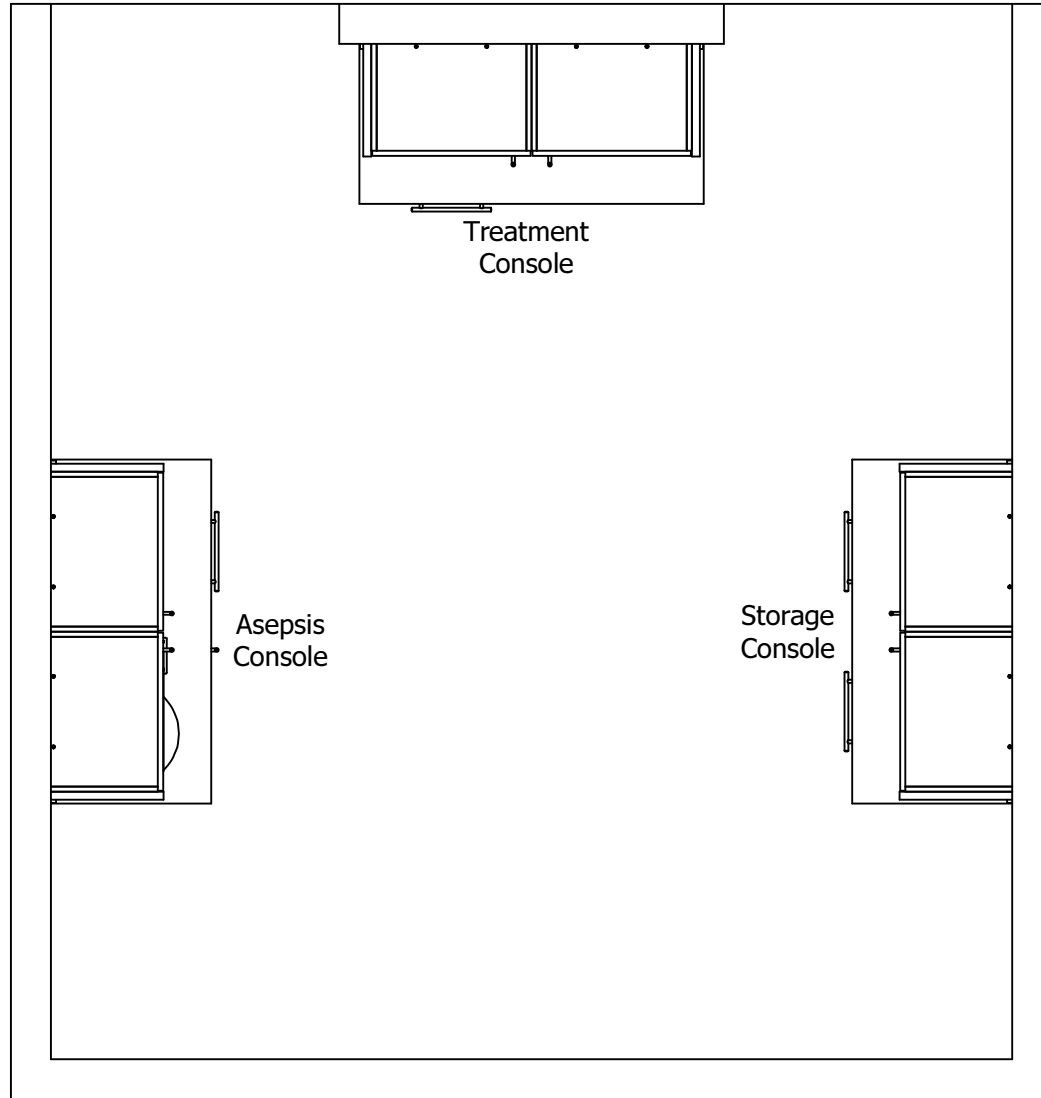
C

B

B

A

A



| | | | |
|--------|----------------------|--------|--------|
| TITLE: | Dental Single Layout | SHEET: | 1 OF 2 |
|--------|----------------------|--------|--------|

| | | | | | |
|-----------|------------|-------|-----------|-------|---|
| DRAWN BY: | B. Kollman | DATE: | 6/28/2019 | SIZE: | C |
|-----------|------------|-------|-----------|-------|---|

4

3

4

2

1

4

3

2

1

D

D

C

C

B

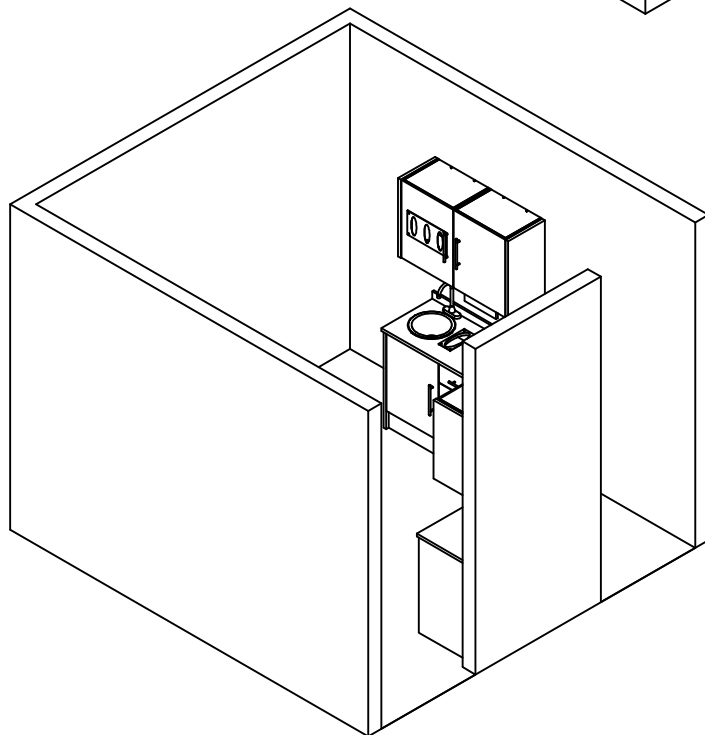
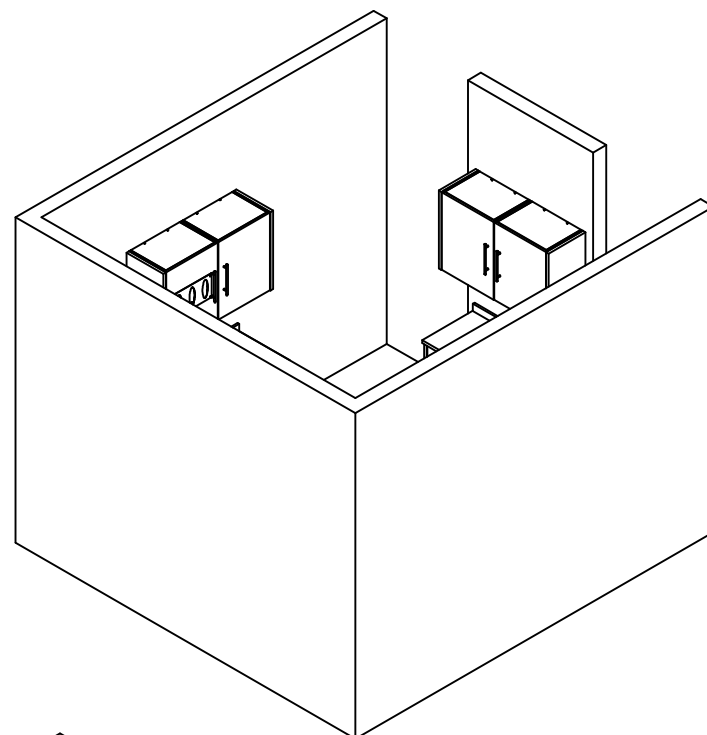
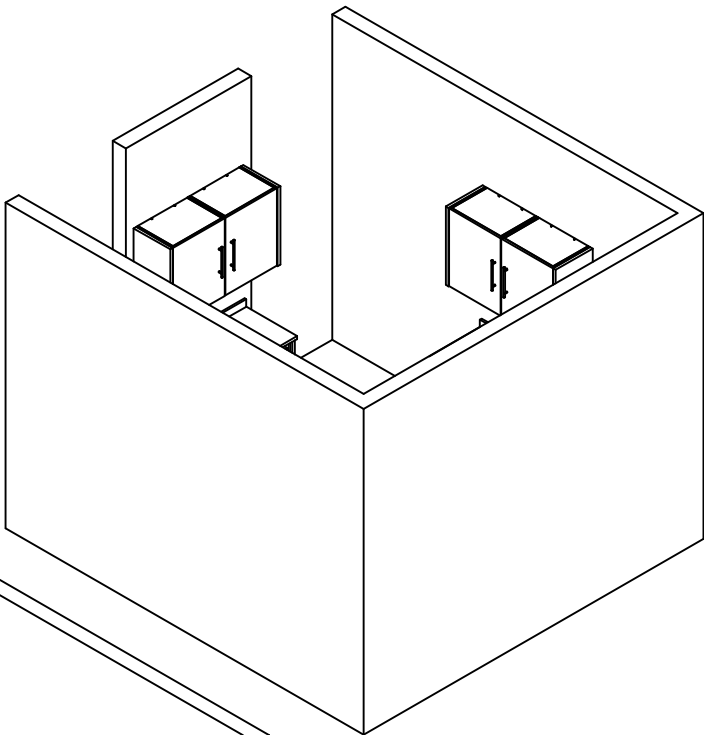
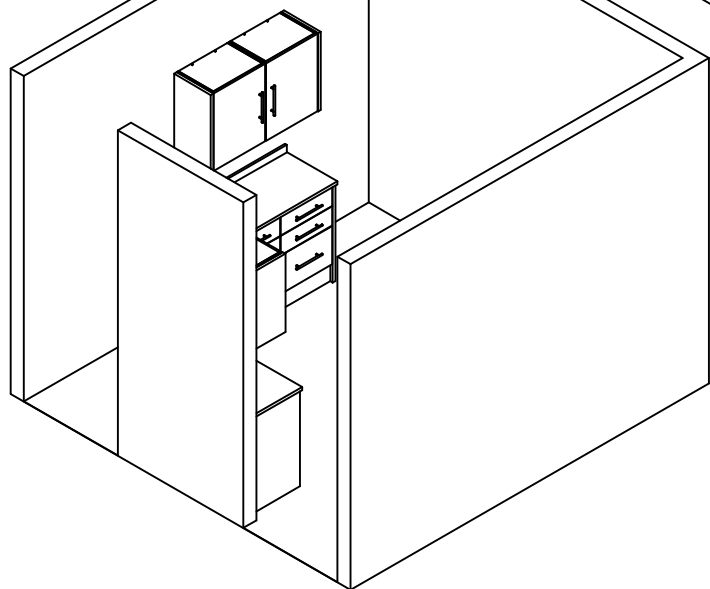
B

A

A

A

A



| | | |
|---------------------------------------|---------------------------|------------------|
| TITLE: Dental Single Layout | | SHEET: 2 OF 2 |
| DRAWN BY: B. Kollman | DATE: 6/28/2019 | SIZE: C |

4

3

4

2

1

4

3

2

1

D

D

Division Console

Treatment Console

Treatment Console

C

C

B

B

Asepsis Console

Storage Console

Asepsis Console

Storage Console

A

A



| | | |
|---------------------------------------|---------------------------|------------------|
| TITLE: Dental Double Layout | | SHEET: 1 OF 3 |
| DRAWN BY: B. Kollman | DATE: 6/28/2019 | SIZE: C |

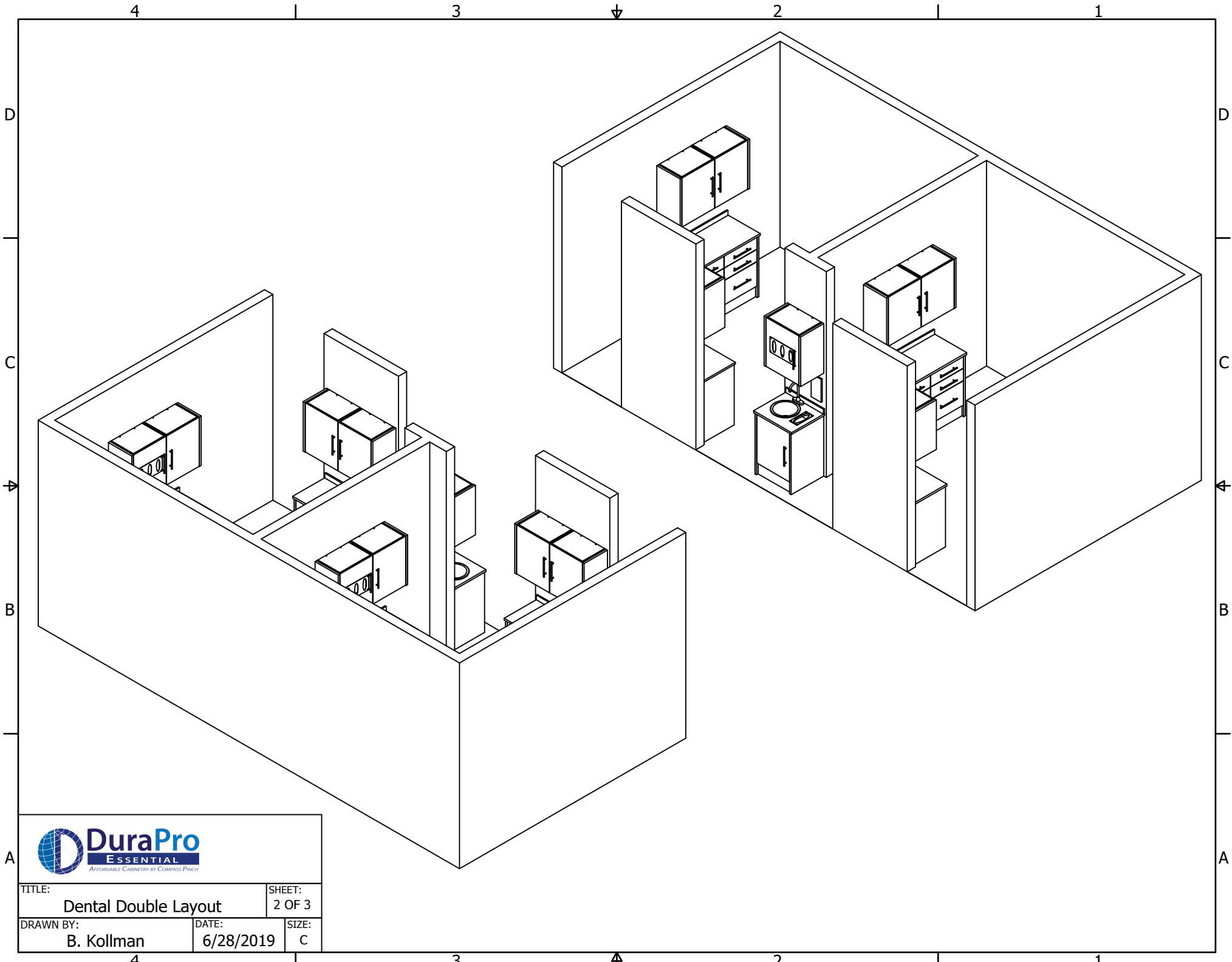
4

3

4

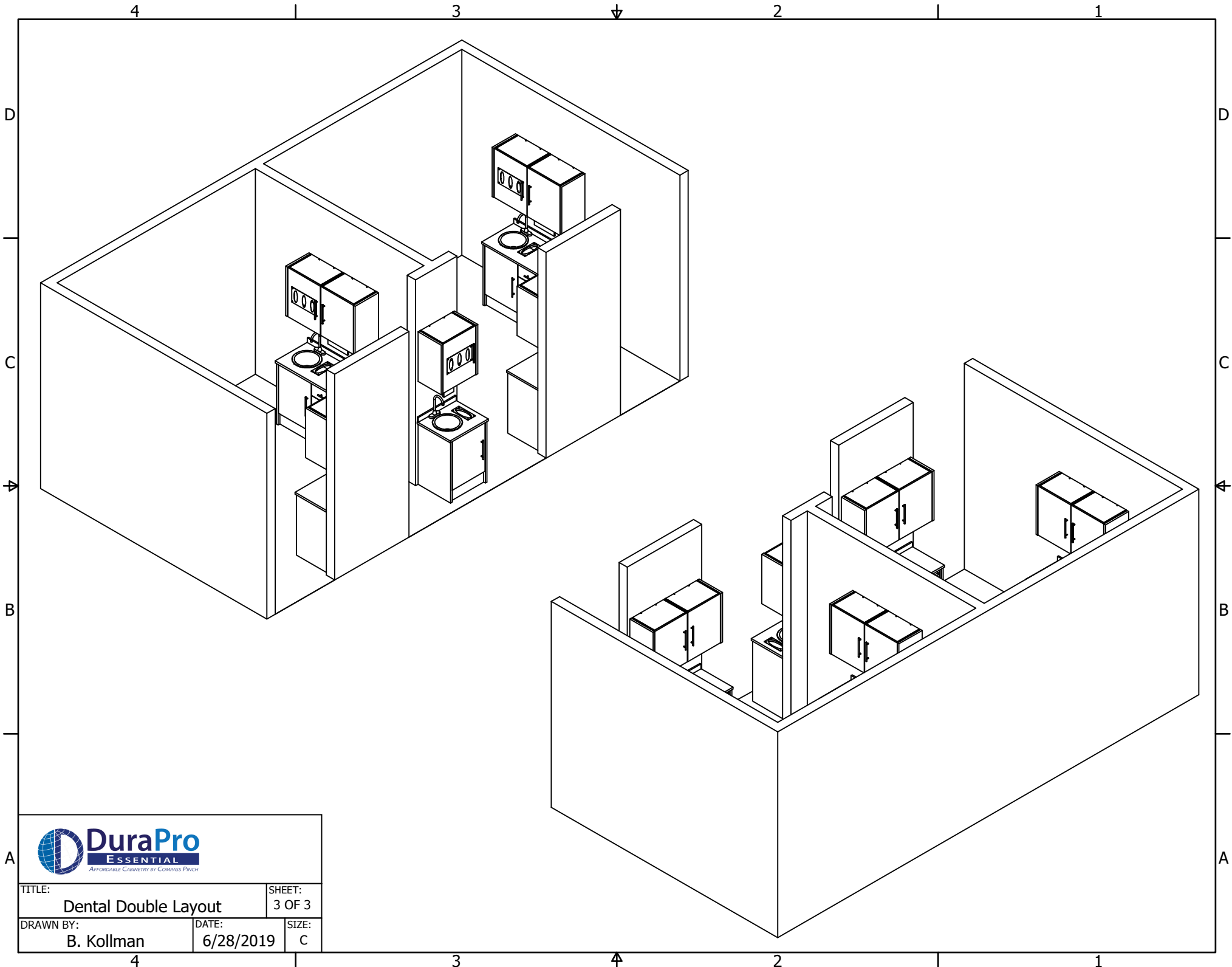
2

1



| | | | |
|--------|----------------------|--------|--------|
| TITLE: | Dental Double Layout | SHEET: | 2 OF 3 |
|--------|----------------------|--------|--------|

| | | | | | |
|-----------|------------|-------|-----------|-------|---|
| DRAWN BY: | B. Kollman | DATE: | 6/28/2019 | SIZE: | C |
|-----------|------------|-------|-----------|-------|---|



| | |
|---------------------------------------|------------------|
| TITLE: Dental Double Layout | SHEET: 3 OF 3 |
|---------------------------------------|------------------|

| | | |
|--------------------------------|---------------------------|------------|
| DRAWN BY: B. Kollman | DATE: 6/28/2019 | SIZE: C |
|--------------------------------|---------------------------|------------|