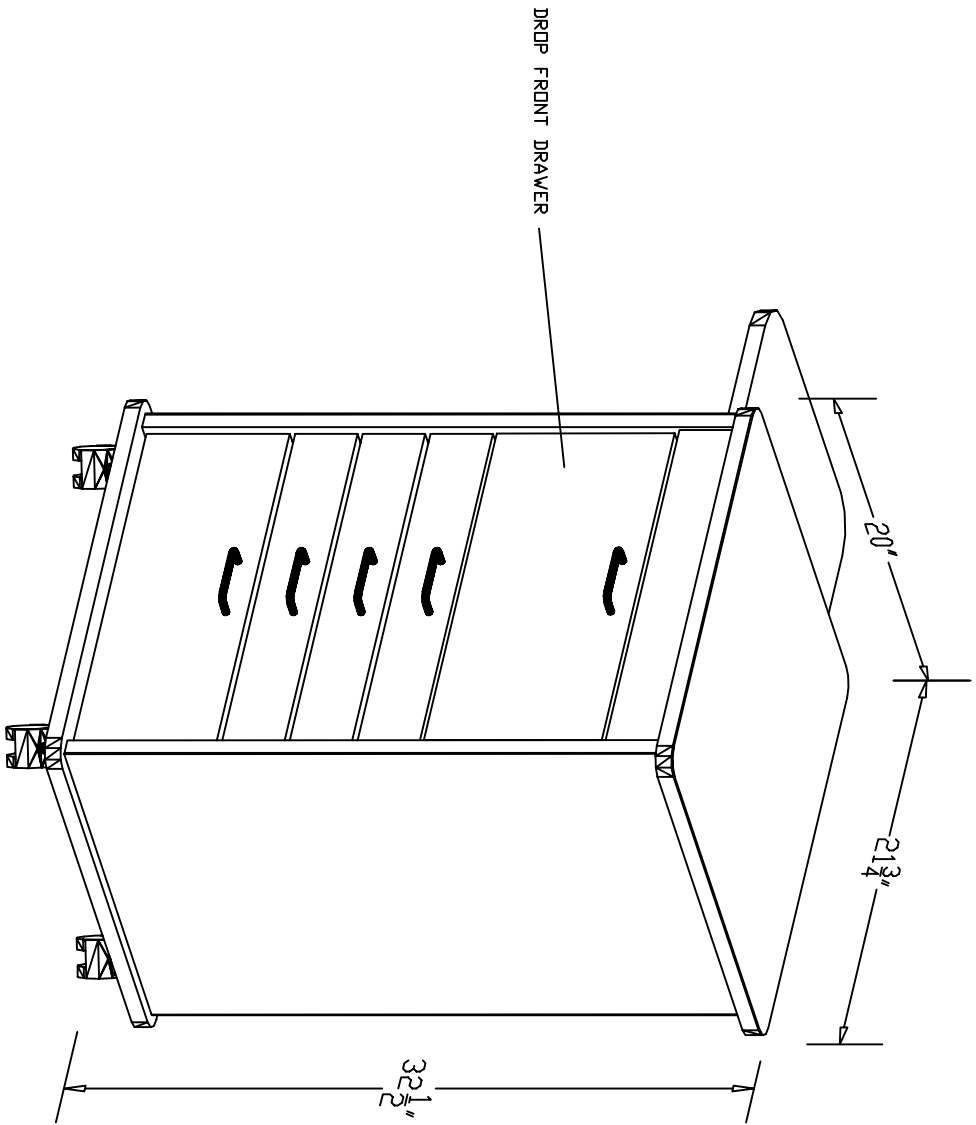


Standard:	
High Pressure Laminate Colors	
Handles on Doors / Drawers	
Sliding Side Shelf - Specify Direction Below	
1 Drop Front Drawer, 4 Regular Drawers	
Casters	
Options:	
Left Sliding Side Shelf	\$0.00
Right Sliding Side Shelf	\$0.00
Cabinet Colors (Please List)	
Cabinet Panels:	
Work Surface:	
Door / Drawer Edge Accent:	



Duplication of Smart Cabinets designs is prohibited.

Review drawing dimensions for proper installation.

I confirm that this order is correct.
 Signature: _____ Date: _____



WWW.SMARTCABINETS.COM

PHONE: 1-877-214-1601 WICHITA FALLS, TX (940) 322-8280

FAX: (940) 322-8280

For Presentation

Date: 11/15/11 Drawn By: B.C. Checked By: R.S.

Providence Assistant's
 "North Carolina" Cart